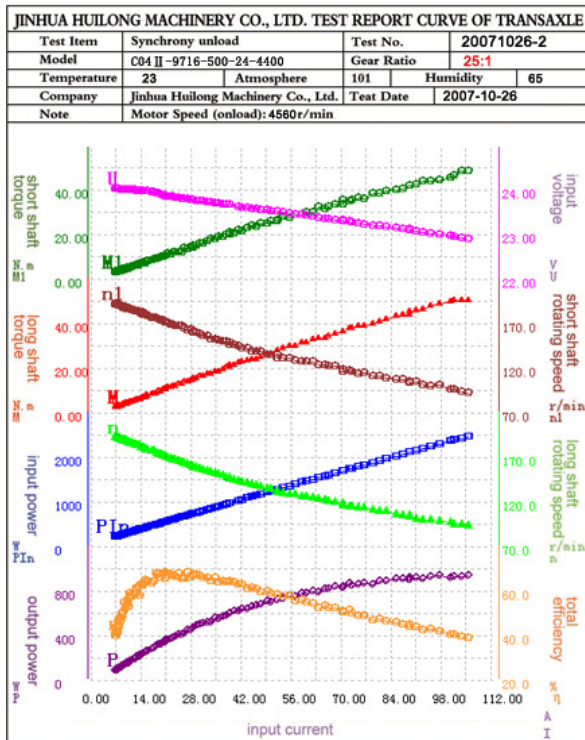
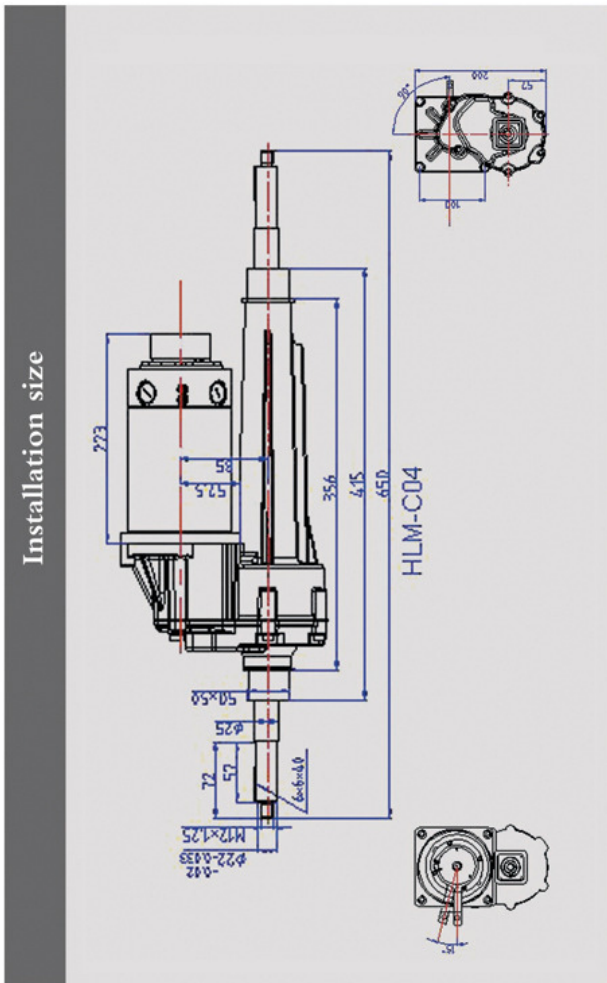




**Technische specificaties** CO4II 9716 500W 24 Volt i=25/1



Parameter	Current (A)	Output Speed (r/min)	Output Torque (N.m)	Total efficiency (%)	Power Input (W)	Power output (W)
Max Efficiency	20.760	167.8	18.7	67.2	494.1	332.1
Max Power Output	97.560	96.6	91.0	40.9	2238.0	914.8
Rated Speed Output	21.33	167.7	20.22	67.0	507	340



**IDTechnology BV**  
 Nobelweg 26  
 3899BA Zeewolde  
 Tel: 036-5387270  
 Fax: 036-5387279  
 e-mail: Info@idtechnology.nl