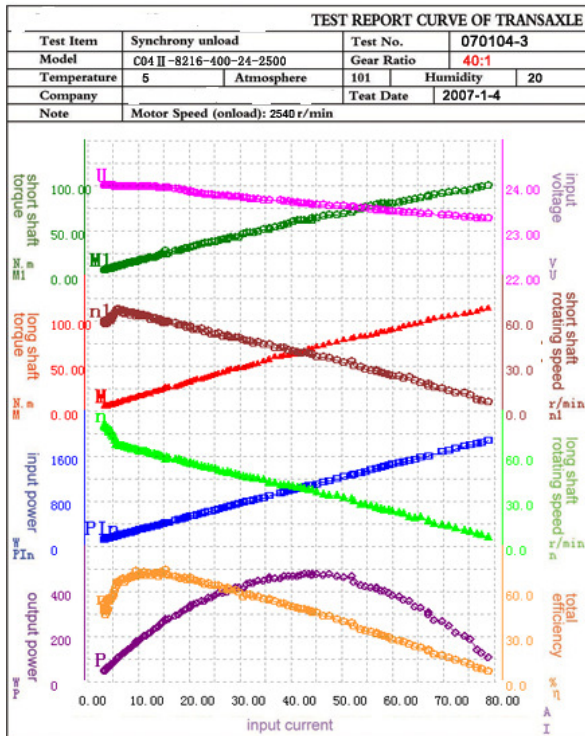
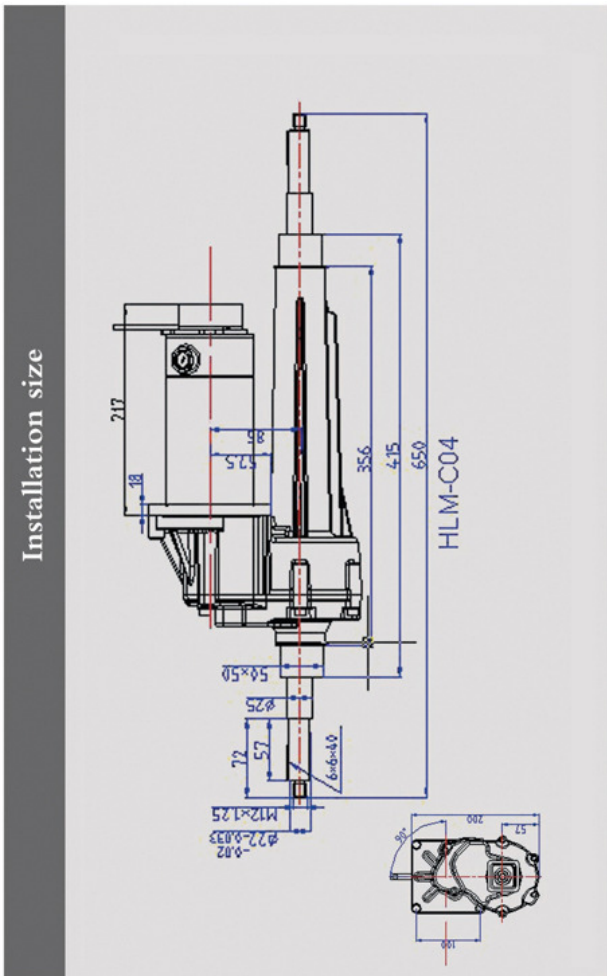


Technische specificaties CO4 8216 400W 24 Volt i=20/1



Parameter	Current (A)	Output Speed (r/min)	Output Torque (N.m)	Total efficiency (%)	Power Input (W)	Power output (W)
Max Efficiency	15.300	56.2	46.8	72.3	365.4	264.1
Max Power Output	43.350	36.0	123.4	45.3	1020.0	462.1
Rated Speed Output	17.250	56.0	48.0	67.7	411.8	278.8



IDTechnology BV
 Nobelweg 26
 3899BA Zeewolde
 Tel: 036-5387270
 Fax: 036-5387279
 e-mail: Info@idtechnology.nl